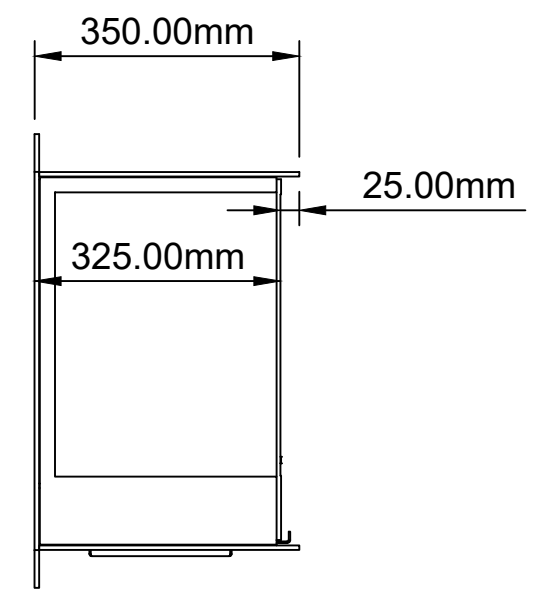
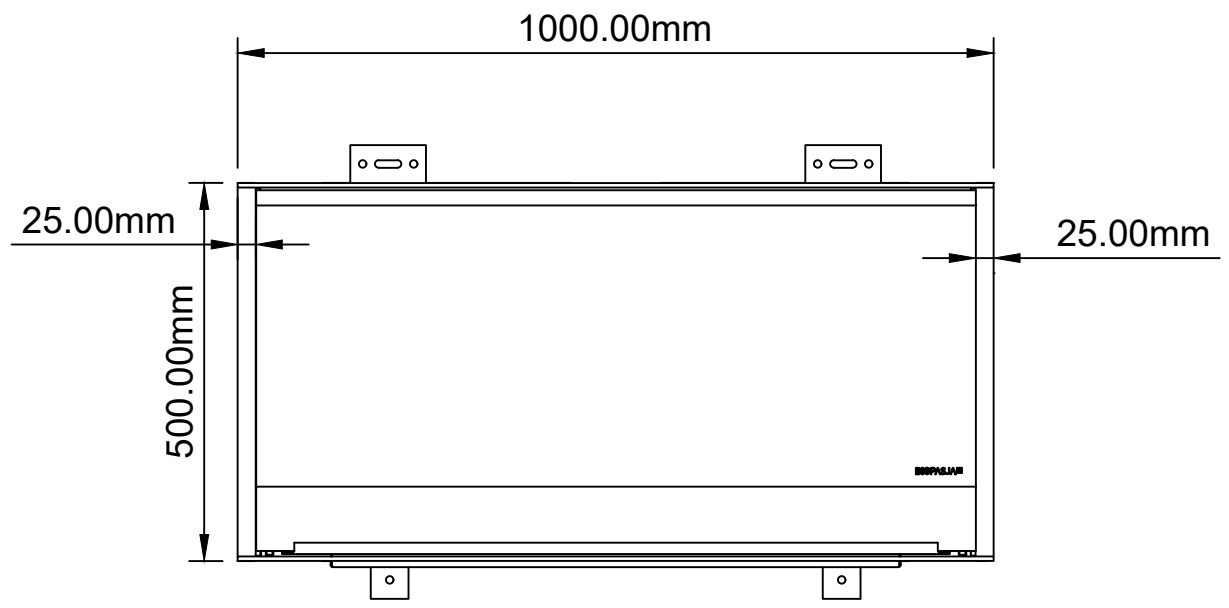


1 2 3 4 5 6 7 8

A

A

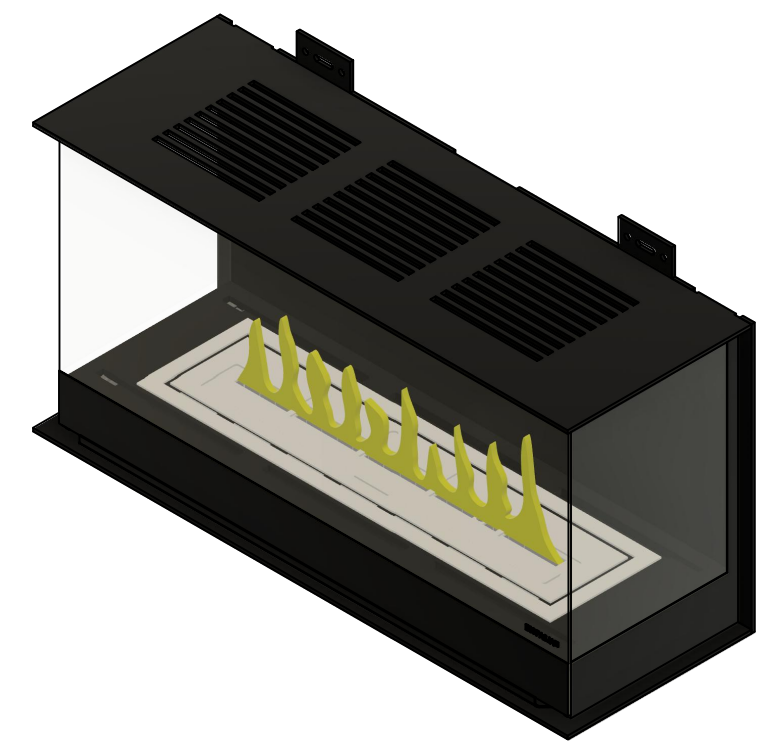
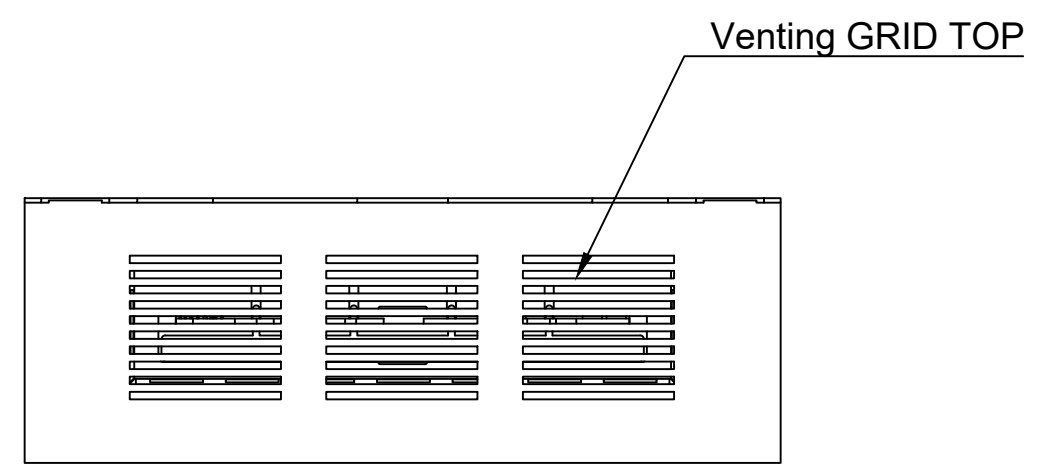


B

B

C

C



D

D

E

E

F

F

LOOKING FOR PRICES - SEE ON QUALITY AND SAFETY WE STANDS FOR 10 YEARS OF EXPERIENCE

The drawing is subject to copyright Biopasja Sp. z o.o. Industrial design protection own by Biopasja Sp. z o.o RCD002681213 & Concealed latches NEOPRO - PATENT no. P.427092

|                        |             |          |            |                 |                   |
|------------------------|-------------|----------|------------|-----------------|-------------------|
| BioAluBox Safe CD-1000 |             |          |            | Project No      | BioAluBox Safe CD |
|                        |             |          |            | Drawing No      | Drw.01            |
| Scale                  | Format      | Drawn by | Drawn date | <b>BIOPASJA</b> |                   |
| 1:10                   | A3          | Adam     | 21/07/2019 |                 |                   |
| Rev.                   | Approved by | Rev. by  | Rev. Date  |                 |                   |

This drawing is our exclusive property and may not without our consent be utilized, reproduced, transmitted or communicated to a third party.

1 2 3 4 5 6 7 8